



DIN 35mm

Features:

- 1Ø - 2 Wire, 3Ø - 4 Wire Input
- Monitors Under voltage, Over voltage, Phase asymmetry, Phase Failure & Phase Sequence
- True RMS Measurement
- Adjustable Switching Hysteresis
- One relay with two change over
- DIN Rail Mount

Display Specification

Type	Digital
Display	Liquid Crystal Display
No. of LED's	2
No. of Push Button	3

LED Indication Chart

Condition	'R' LED
Nominal Condition	OFF
Fault Condition	ON

Input Specifications

Functions	
Measurements	Under Voltage, Over Voltage, Phase Asymmetry, Phase Failure and Phase Sequence
Time Setting	Power ON delay, Trip time delay, Recovery time delay
Alarm Indications	Trip
Latching	Selectable
Reset	Auto / Manual
Electrical Connection	1Ø - 2wire, 3Ø - 4wire
Trip Settings	
Under Voltage	127 to 219V AC (L - N)
Over Voltage	242 to 288V AC (L - N)
Phase Sequence	Yes
Phase Failure	Yes
Phase Asymmetry	5 - 30%
Trip Time Settings	
Power On Delay	0.5 - 300sec
Trip Time Delay	0 - 300sec
Recovery Time Delay	0 - 300sec (In Auto Reset Mode)
Response Time	<150ms

Hysteresis

Voltage	1.0 - 99.9V for voltage
Asymmetry	2 - 20% (Only for 3Ø - 4wire)

Resolution

Voltage	1V
---------	----

Time setting

0 - 10sec	0.1sec
10 - 99sec	1sec
100 - 300sec	10sec

Accuracy

Voltage	±1% ±2 digits
Time Setting Accuracy	±5% of setting ±150ms

Output Specifications

No. of Relays	1
Type of Output	2 C/O (DPDT)
Contact Rating	NO, NC : 5A@250V

Auxiliary Supply Specifications

Supply Voltage	Self Powered
Nominal Input Voltage, Un	230V AC (L - N)
Operating Voltage	127 to 288V AC (L - N)
VA Rating	5VA max
Frequency	48 - 63Hz

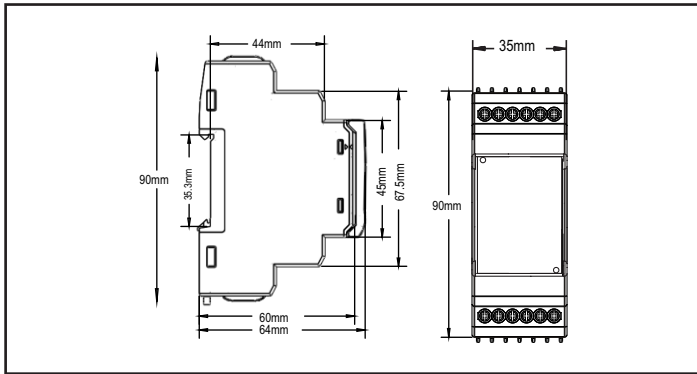
Environmental Specifications

Temperature	Operating Temperature: -10°C to 55°C Storage Temperature : -25°C to +70°C
Humidity (non-condensing)	Upto 95% RH
Pollution Degree	2

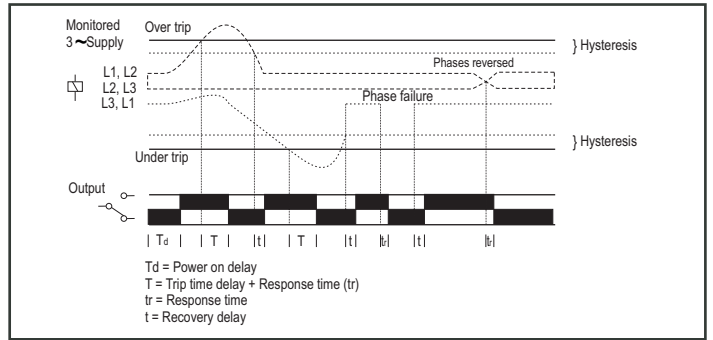
Mechanical Specifications

Mounting	DIN Rail
Weight	112gms
Screw Tightening Torque	0.5 NM

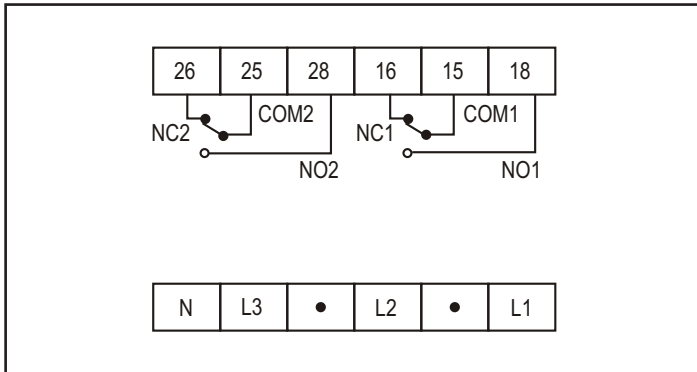
Dimensions



Timing Diagram



Terminal Connections



Ordering Information

Product Code	Supply Voltage	Certification
VPRD2M	127 to 288V AC	-