



### Main

|                              |   |
|------------------------------|---|
| Range of product             | Altistart 48  |
| Product or component type    | Soft starter  |
| Product destination          | Asynchronous motors   |
| Product specific application | Heavy duty industry and pumps   |
| Device short name            | ATS48   |
| Power supply voltage         | 230...415 V - 15...10 %   |
| Motor power kW               | 55 kW at 230 V connection to the motor delta terminals for severe applications<br>55 kW at 400 V connection in the motor supply line for severe applications<br>75 kW at 230 V connection to the motor delta terminals for standard applications<br>75 kW at 400 V connection in the motor supply line for standard applications<br>90 kW at 400 V connection to the motor delta terminals for severe applications<br>110 kW at 400 V connection to the motor delta terminals for standard applications<br>30 kW at 230 V connection in the motor supply line for severe applications<br>37 kW at 230 V connection in the motor supply line for standard applications |
| Power dissipation in W       | 306 W for severe applications<br>391 W for standard applications  |
| Utilisation category         | AC-53A  |
| Type of start                | Start with torque control (current limited to 5 In)   |
| IcI nominal current          | 140 A for connection in the motor supply line for severe applications<br>140 A for connection in the motor supply line for standard applications<br>242 A for connection to the motor delta terminals for severe applications<br>242 A for connection to the motor delta terminals for standard applications  |
| IP degree of protection      | IP00  |

### Complementary

|                               |                              |
|-------------------------------|------------------------------|
| Assembly style                | With heat sink               |
| Function available            | External bypass (optional)   |
| Power supply voltage limits   | 195...456 V                  |
| Power supply frequency        | 50...60 Hz - 5...5 %         |
| Power supply frequency limits | 47.5...63 Hz                 |
| Device connection             | To the motor delta terminals |

|                                    | In the motor supply line  |
|------------------------------------|---|
| Factory setting current            | 131 A   |
| [Uc] control circuit voltage       | 220 - 15 % to 415 + 10 %, 50/60 Hz  |
| Control circuit consumption        | 30 W  |
| Discrete output number             | 2   |
| Discrete output type               | (LO1) logic output 0 V common configurable<br>(LO2) logic output 0 V common configurable<br>(R1) relay outputs fault relay NO<br>(R2) relay outputs end of starting relay NO<br>(R3) relay outputs motor powered NO |
| Output absolute accuracy precision | +/- 5 %   |
| Minimum switching current          | 10 mA at 6 V DC for relay outputs   |
| Maximum switching current          | Logic output 0.2 A at 30 V DC<br>Relay outputs 1.8 A at 230 V AC inductive load, cos phi = 0.5 20 ms<br>Relay outputs 1.8 A at 30 V DC inductive load, cos phi = 0.5 20 ms  |
| Discrete input number              | 5   |
| Discrete input type                | PTC, 750 Ohm at 25 °C<br>(Stop, Run, LI3, LI4) logic, <= 8 mA 4300 Ohm  |
| Discrete input voltage             | 24 V <= 30 V  |
| Discrete input logic               | Positive logic Stop, Run, LI3, LI4 at State 0: < 5 V and <= 2 mA at State 1: > 11 V, >= 5 mA  |
| Starting current                   | 0.4...1.3 Icl adjustable  |
| Analogue output type               | Current output AO: 0-20 mA or 4-20 mA, impedance <500 Ohm   |
| Communication port protocol        | Modbus  |
| Connector type                     | 1 RJ45  |
| Communication data link            | Serial  |
| Physical interface                 | RS485 multidrop   |
| Transmission rate                  | 4800, 9600 or 19200 bps   |
| Max nodes number                   | 31  |
| Protection type                    | Phase failure: line<br>Thermal protection: motor<br>Thermal protection: starter   |
| Marking                            | CE  |
| Type of cooling                    | Forced convection   |
| Operating position                 | Vertical +/- 10 degree  |
| Height                             | 340 mm  |
| Width                              | 200 mm  |
| Depth                              | 265 mm  |
| Net weight                         | 12.4 kg   |
| Motor power range AC-3             | 30...50 kW at 200...240 V 3 phases<br>55...100 kW at 380...440 V 3 phases<br>55...100 kW at 200...240 V 3 phases<br>110...220 kW at 380...440 V 3 phases  |
| Motor starter type                 | Soft starter  |

## Environment

|                               |  |
|-------------------------------|--|
| Electromagnetic compatibility | Conducted and radiated emissions level A conforming to IEC 60947-4-2<br>Conducted and radiated emissions level B conforming to IEC 60947-4-2<br>Damped oscillating waves level 3 conforming to IEC 61000-4-12<br>Electrostatic discharge level 3 conforming to IEC 61000-4-2<br>Immunity to electrical transients level 4 conforming to IEC 61000-4-4<br>Immunity to radiated radio-electrical interference level 3 conforming to IEC 61000-4-3<br>Voltage/current impulse level 3 conforming to IEC 61000-4-5 |
| Standards                     | EN/IEC 60947-4-2   |
| Product certifications        | CSA<br>UL<br>DNV<br>GOST<br>NOM 117<br>C-Tick<br>SEPRO   |

CCC  
TCF

|                                       |  |
|---------------------------------------|--|
| Vibration resistance                  | 1 gn (f= 13...200 Hz) conforming to EN/IEC 60068-2-6<br>1.5 mm (f= 2...13 Hz) conforming to EN/IEC 60068-2-6 |
| Shock resistance                      | 15 gn for 11 ms conforming to EN/IEC 60068-2-27  |
| Noise level                           | 50 dB  |
| Pollution degree                      | Level 3 conforming to IEC 60664-1  |
| Relative humidity                     | 0...95 % without condensation or dripping water conforming to EN/IEC 60068-2-3                               |
| Ambient air temperature for operation | 40...60 °C (with current derating of 2 % per °C)<br>-10...40 °C (without)                                    |
| Ambient air temperature for storage   | -25...70 °C  |
| Operating altitude                    | <= 1000 m without<br>> 1000...2000 m with current derating of 2.2 % per additional 100 m                     |

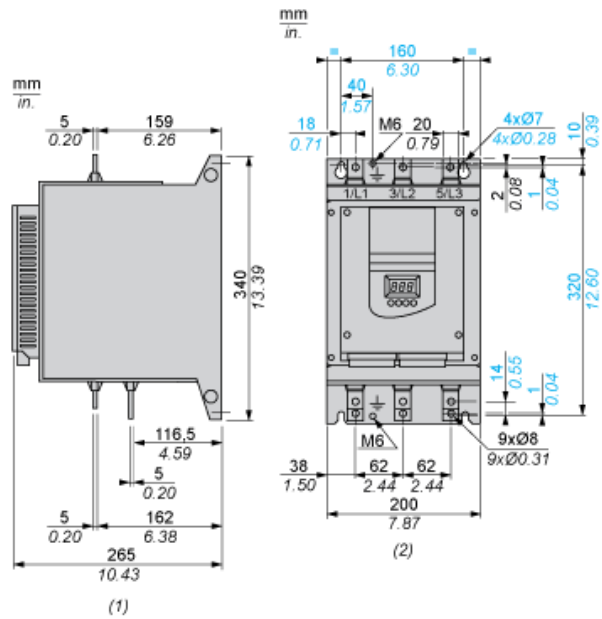
### Offer Sustainability

|                            |   |
|----------------------------|---|
| Sustainable offer status   | Green Premium product   |
| REACH Regulation           | <a href="#">REACH Declaration</a>   |
| EU RoHS Directive          | Pro-active compliance (Product out of EU RoHS legal scope)<br><a href="#">EU RoHS Declaration</a>                           |
| Mercury free               | Yes   |
| RoHS exemption information | <a href="#">Yes</a>   |
| China RoHS Regulation      | <a href="#">China RoHS declaration</a>  |
| Environmental Disclosure   | <a href="#">Product Environmental Profile</a>   |
| Circularity Profile        | <a href="#">End of Life Information</a>   |
| WEEE                       | The product must be disposed on European Union markets following specific waste collection and never end up in rubbish bins |

### Contractual warranty

|          |           |
|----------|-----------|
| Warranty | 18 months |
|----------|-----------|

Dimensions



- (1) Right View
- (2) Front View

Clearance

