

Analogue time switches modular

Website: Hoangphuong.com.vnPhone: **0944.240.317 / 0975.123.698 / 0961.008.858**Email: Codienhoangphuong@gmail.com**Description**

Electromechanical time switches 1 channel for daily or weekly programming.
To control lighting, heating, household appliances, shop windows etc...
To improve comfort and save energy.

Applications

Domestic and commercial premises.
DIN rail mounting

Technical data


- programming by captive segments.
- manual override:
On 1 module devices:
- automatic
- permanent ON
On 3 and 5 module devices:
- automatic
- permanent ON
- permanent OFF

Minimum switching time:

- 15 min for daily versions
- 2 hours for weekly versions
- 15 min and 2 hours on the daily+weekly version

Connection capacity:1 to 4mm²

Complies with EN 60 730.

Designation	Voltage	Cycle	Width in  17.5 mm	Cat. ref.
Analogue time switches modular compact 1 NO 16 A - 250 V AC1	230V 50Hz	24h without battery reserve	1	EH010
		24h reserve: 200 h	1	EH011
		7day reserve: 200h	1	EH071
Analogue time switches standard modular version 1 NO changeover 16 A - 250 V AC1	230V 50Hz	24h without hand without battery reserve	2	EH209
		24h without battery reserve	2	EH210
		24h reserve: 200 h	2	EH211
		7day reserve: 200 h	2	EH271
		24h + 7day reserve: 200h	5	EH191
		24h without battery reserve	3	EH110
		24h without battery reserve	3	EH111
6 to 24V AC/DC	24h without battery reserve	3	EH110A	
	24h reserve: 200 h	3	EH111A	
	7day reserve: 200 h	3	EH171A	



EH071



EH191



EH111



EH110A

Sealing kit for 3 "modules" time switch

EH901

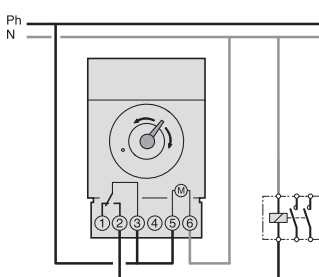
Wall mounting kit for 3 "modules" time switch

EH902

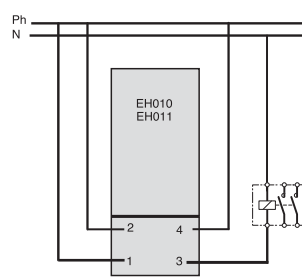
Technical specifications

	EH010	EH011	EH071	EH110	EH111	EH191
Width in I 17.5mm	1	1	1	3	3	5
Version	daily	daily	weekly			daily + weekly
Electrical characteristics						
voltage supply	230V +10/-10%			230V	230V	230V +10/-10%
frequency	50/60Hz					
consumption	0.5VA					
output	1NO			changeover		
Switching capacity						
AC1	16A/250V					
inductive load (cos φ = 0.6)	4A/250V			3A/250V		
incandescent lamps	900W					
Characteristics						
technology	quartz					
dial	24 h		7 days		24 h	24 h and 7 days
switching dial	15 min		1h 45			15 min and 2 h
min. switching	30 min		3 h 30		15 min	15 min and 2 h
max. number of switching	96		96			96/84
accuracy	+/- 1 sec per day					
supply failure reserve		200 h	200 h			200 h
reached in		120 h				120 h
manual override	auto/ON/OFF					
Environment						
ingress protection	IP20					
working temperature	-10 to +45°C					
storage temperature	-10 to +50°C					
connection	0.5 to 4mm ²					

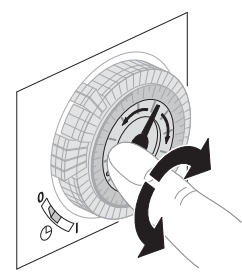
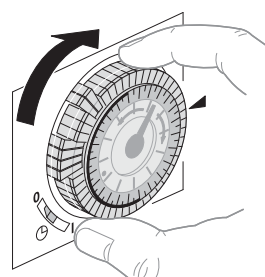
	EH209	EH210	EH211	EH271	EH110A	EH111A	EH171A
Width in I 17.5mm	2	2	2	2	3	3	3
Version	daily	daily	daily	weekly	daily	daily	weekly
Electrical characteristics							
voltage supply	230V +10/-15%			230V +10/-15%		6 to 24V AC/DC	
frequency	50/60Hz					50/60 Hz	
consumption	0.5 VA					0.5 VA	
output	1NO changeover				1 NO changeover		
Switching capacity							
AC1	16A/230V				16A/230V		
inductive load (cos φ = 0.6)	4A/230V				4A/230V		
incandescent lamps	1000W				900W		
Characteristics							
technology	quartz				quartz		
dial	24 h		7 days		24 h		7 days
switching dial	15 min		1 h 45		15 min		2 h
min. switching	30 min		3 h 30		30 min		4 h
max. number of switching	48				48		
accuracy	+/- 1 sec per day				± 6 min per year		
supply failure reserve	-	-	200 hours	200 hours	-	72 hours	72 hours
reached in	-	-	120 hours	120 hours	-	120 hours	120 hours
manual override	auto/ON/OFF				auto/ON/OFF		
Environment							
ingress protection	IP20				IP20		
working temperature	-10 to +55°C				-10° to +55°C		
storage temperature	-20° to +70°C				-20° to +70°C		-10° to +55°C
connection	1.5 to 6mm ²				1 to 4mm ²		



EH110 Electrical connections



EH010, EH011 electrical connections



Simple time setting and programming using dual direction dial

Description

For daily or weekly programming.
1 channel for the control of lighting, heating, household appliances, shop windows etc..
To improve comfort and save energy.

Applications

Domestic and commercial premises.

Technical data

- suitable for surface, flush or din rail mounting
- programming by captive segments
- manual override with automatic return to programme
- operating reserve: 200 hours after being connected for 120 hours
- with clock hand
- output: voltage free changeover contact 16A/250V

Daily version

Programming in steps of 10 minutes.
Minimum time between 2 switching intervals: 20 min

Weekly version

Programming in steps of one hour.
- minimum time between 2 switching intervals: 2 hours
- switching accuracy: 10 min

Complies with EN 60 730-2-7.

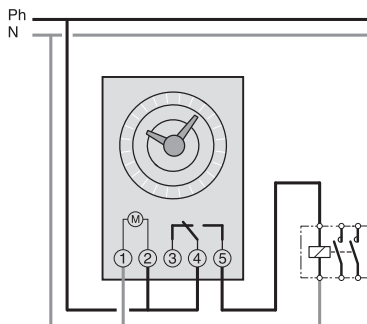
Designation	Characteristics	Pack qty.	Cat. ref.
	1 channel daily cycle		
	supply : 230V 50/60Hz		
	without battery reserve	1	EH710
	with battery reserve	1	EH711
reserve : 200 hours after being connected for 120 hours			
	1 channel weekly cycle		
	supply : 230V 50/60Hz		
	without battery reserve	1	EH770
	with battery reserve	1	EH771
reserve : 200 hours after being connected for 120 hours			
1 channel daily cycle	supply : 6 to 24V AC/DC 50/60Hz		
	without battery reserve	1	EH710A
Flush mounting kit			EH900

EH711

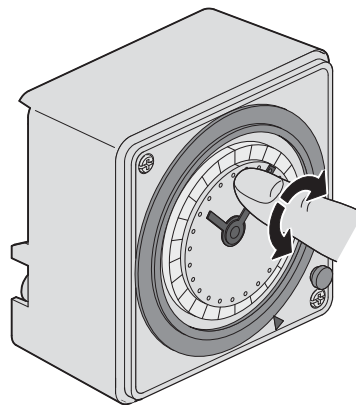
EH771

Technical specifications

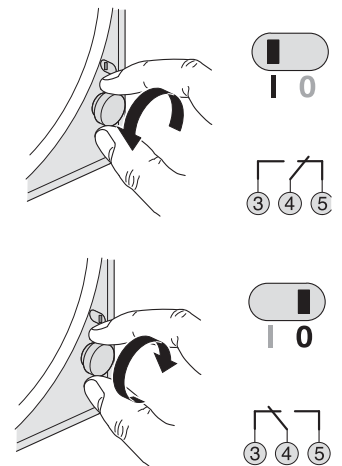
	EH710	EH711	EH770	EH771	EH710A
Dimensions (mm)	72x72x48	72x72x48	72x72x48	72x72x48	72x72x48
Electrical characteristics	daily	daily	weekly	weekly	daily
voltage supply	230V +10/-15% 50/60Hz				110V to 240V AC 50/60Hz 48V DC +10/-15%
consumption	0.5VA				
output	1 changeover				1 N/O
Switching capacity					
AC1	16A/250V				
inductive load (cos φ = 0.6)	3A/250V				
incandescent lighting	1000W				
Characteristics					
technology	quartz				
dial	24h		7 days		24h
switching dial	10min		1 hour		10 min
minimum switching	20min		2 hour		20 min
working accuracy	+/- 1 sec per day				
supply failure reserve	-	200 hours	-	200 hours	-
reached in		120 hours		120 hours	
manual switch	temporary ON or OFF				
Environment					
working temperature	-10 to +50°C				
storage temperature	-20 to +60°C				
connection capacity	1 to 6mm ²				



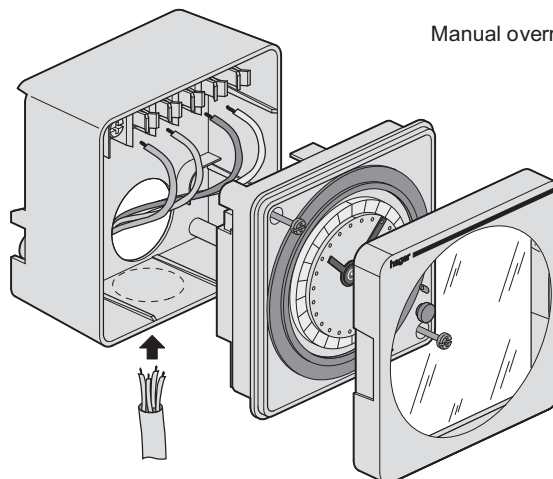
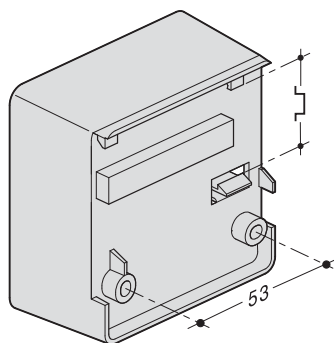
EH710 Electrical connection



Very easy programming with dual direction dial



Manual override



Description

Use : domestic and commercial buildings
 For the control of lighting, heating, household appliances, shop windows, signage etc..., to improve comfort and to save energy.

EG103B and EG203B

(basic version)
 Product set at current time and date when delivered.
 Automatic change of summer / winter time.

Programming key :

- to allow easy back up and re-installation of the program to allow permanent program overrides.
- programming per day or group of days
- 56 ON/OFF programme steps
- permanent ON/OFF overrides
- temporary ON/OFF overrides
- bar graph indication showing the daily profile
- programming supply.

Operating voltage

230V~ 50/60Hz



EG071



EG210



EG203E

Designation	Characteristics	Width in 17.5mm	Pack qty.	Cat. ref.
1 channel daily cycle	5 adjustable pre-recorded programs : 6 commutations max per day (3 ON and 3 OFF) 230V 50/60 Hz	1	1	EG010
	capacity : 20 program steps 230V 50/60 Hz	3	1	EG110
2 channels daily cycle	capacity : 20 program steps to be divided between the 2 channels 230V 50/60 Hz	3	1	EG210
1 channel weekly cycle	capacity : 20 program steps 230V 50/60 Hz	1	1	EG071
	capacity : 20 program steps 230V 50/60 Hz	3	1	EG170
	capacity : 56 program steps output : 1 changeover contact μ 16A - 250V~ AC1	2	1	EG103B
	capacity : 56 program steps output : 1 changeover contact μ 16A - AC1 - 1 2/24 V AC/DC 50/60 Hz	2	1	EG103V
2 channels weekly cycle	capacity : 20 program steps to be divided between the 2 channels 230v 50/60 Hz	3	1	EG270
	capacity : 56 program steps output : 2 changeover contacts μ 16A - 250V~ AC1	2	1	EG203B

Technical specifications

	EG010	EG110	EG210	EG071	EG170
Width in I 17.5mm	1	3	3	1	3
Version	daily	daily	daily	weekly	weekly
Electrical characteristics					
voltage supply	230V +15/-15% 50/60Hz		230V +15/-15% 50/60Hz		230V +15/-15% 50/60Hz
consumption	1VA				
output	changeover contact				
Switching capacity					
AC1	16A/250V				
inductive load (cos φ = 0.6)	3A/250V				
incandescent lamps	1000W				
Characteristics					
accuracy	+/- 1 sec per day				
supply failure reserve	Lithium battery total of three years				
manual override	permanent ON/OFF	permanent ON/OFF temporary ON/OFF		permanent ON/OFF	permanent ON/OFF temporary ON/OFF
Environment					
ingress protection	IP20				
working temperature	-10 to +50°C				
storage temperature	-10 to +50°C				
connection	0.5 to 4mm ²				

	EG103B	EG203B
Width in I 17.5mm	2	2
Cycle	weekly	weekly
Channels	1	2
Program step	56	56
Min. switching time	1 min	
Electrical characteristics		
voltage supply	230V +15%/-15% 50/60Hz	
consumption	max 6VA	
output	changeover contact	
Switching capacity		
AC1	μ16A/250V	
inductive load (cos φ = 0.6)	μ10A/250V	
incandescent lamps	2300W	
halogen lighting 230V	2300W	
compensated fluo. tubes //	400W, C=45μF	
non compensated fluo. tubes	1000W	
compact fluorescent tubes	500W	
min. load switching	100mA/250V	
Characteristics		
accuracy	± 1,5 second per day	
supply failure reserve	lithium battery : 5 years	
manual override	permanent ON/OFF temporary ON/OFF	
Environment		
ingress protection	IP20	
working temperature	-5 to 45°C	
storage temperature	-20 to +70°C	
connection	flexible: 1 to 6mm ² rigid: 1.5 to 10mm ²	