

Small enclosure golf VF & VS

The enclosure for flush or surface mounting installation

When building or renovating residential buildings, compact solutions are often required for electrical installations. The golf VF & VS small enclosure is particularly suitable thanks to its ease of mounting on walls.

The small enclosure is easily and swiftly mounted and offers space for a large number of modular devices. Thanks to a patented convenient cable management system, cables can be laid safely and swiftly.



reddot design award



Your benefits

- Easy installation of the flush / surface-mounted enclosure - can be turned through 180°
- Sure 6-point fixture with 2 keyholes arranged in the centre
- Optimised pipe and trunking entries
- More wiring space between the modular devices and terminals as well as behind the DIN rails
- Clean and convenient wiring thanks to patented integrated cable management system
- Unbreakable door hinges
- Same door for VS surface-mounted version and VF flush mounted version

Characteristics

- Flush/ Surface mounted
- Assembly of devices up to 63A
- Ingress protection IP30 (without door), IP40 (with door)
- Isolation class II, double insulation
- Impact resistance IK07

Expert tips

1



Convenient cable management

Clean and easy wiring thanks to patented, integrated fixation for cable clips and cable ties.

2



Snap-in PE/N terminal strips

Quick Connect or brass terminal strips can be easily mounted by simply snapping into the wall sleeve.

3



Self-explanatory graphics in the wall box

All product features are explained by integrated graphics in the wall box.

4



More space for wiring

Easier wiring of the installed modular devices guaranteed by larger wiring space between the devices and PE/N terminals. More space behind the DIN rails facilitates installation of insulated wires.

5



Easily-accessible DIN rail mounting saves time and effort

DIN rail can be swiftly mounted using the keyhole on the side. The screwed fixture is outside the modular device area providing easy access.

6



Vertical and horizontal connecting of the enclosures

Connecting pieces permits safe, vertical and horizontal connection of the enclosures.

7



Swift and safe cover fixing with 1/4 turn

Position the cover and turn the screw through 90°. Quick-fixing screws can not get lost.

8



Unbreakable door hinges

Defective hinges are now a thing of the past. Same door for surface-mounted and flush-mounted distributors. Symmetrical door installation; door hinges can be mounted on left or right.

Flush mounted distribution boxes from 1 to 4 rows, from 4 to 72 ■
Supplied with:

- opaque or transparent door for devices up to 70mm installation depth
- DIN profile for modular devices 47mm under the cover.

Distance between the DIN rails axis 125mm.

Distribution boards manufactured from plastic material.

Door can be fitted on right or left without dismounting the cover; optional lock and keys.

Door opens up to 180°. Wall box and cover can be installed either way up.

- Removable cable entry slider.
- Cable entries for cable and conduit.

Components included

- Brass screw-type terminals
- Marking stickers
- Towers to fix cable ties for clear cable management are included, cable-retaining clips are optional (except in 4 and 8 enclosures.)
- Carton packaging
- DIN rails directly fixed to the wall box allow room for wiring behind them.

IEC 60 439-3



IEC 60 695-2-1/0 and 60 695-2-1/1

	Designation wall recess		Type of door	Pack qty.	Cat. Ref.
 VF108PM	1 row, 4 ■ w.170 x h.189 x d.72		Opaque	1	VF104PM
			Transparent	1	VF104TM
 VF108PM	1 row, 8 ■ w.242 x h.189 x d.72		Opaque	1	VF108PM
			Transparent	1	VF108TM
 VF212PM	1 row, 12 ■ w.318 x h.257 x d.72		Opaque	1	VF112PM
			Transparent	1	VF112TM
 VF312PM	2 rows, 24 ■ w.318 x h.382 x d.72		Opaque	1	VF212PM
			Transparent	1	VF212TM
 VF312PM	3 rows, 36 ■ w.318 x h.507 x d.72		Opaque	1	VF312PM
			Transparent	1	VF312TM
 VF412PM	4 rows, 48 ■ w.318 x h.652 x d.72		Opaque	1	VF412PM
			Transparent	1	VF412TM

Technical data

- IP rating:
IP30 without door
IP40 with door
IK07

- Isolation Class II
- White colour RAL 9010
- Rated current:
for devices up to 63A
- Rated insulation:
400V a.c. /50Hz

Certification according to
IEC 60 439-3

All products conform to the
RoHS and WEEE directives.

IEC 60 439-3



IEC 60 695-2-1/0
and 60 695-2-1/1

	Designation wall recess		Type of door	Pack qty.	Cat. Ref.
 VF218PM	1 row, 18 ■ w.426 x h.257 x d.72	$N: 7 \times 16\text{mm}^2 + 9 \times 10\text{mm}^2$ $E: 7 \times 16\text{mm}^2 + 9 \times 10\text{mm}^2$ 	Opaque	1	VF118PM
			Transparent	1	VF118TM
 VF318PM	2 row, 36 ■ w.426 x h.382 x d.72	$N: (1 \times 25\text{mm}^2 + 7 \times 16\text{mm}^2 + 8 \times 10\text{mm}^2) \times 2$ $E: 1 \times 25\text{mm}^2 + 14 \times 16\text{mm}^2 + 17 \times 10\text{mm}^2$ 	Opaque	1	VF218PM
			Transparent	1	VF218TM
 VF418PM	3 row, 54 ■ w.426 x h.507 x d.72	$N: (1 \times 25\text{mm}^2 + 7 \times 16\text{mm}^2 + 8 \times 10\text{mm}^2) \times 2 + (7 \times 16\text{mm}^2 + 9 \times 10\text{mm}^2)$ $E: (1 \times 25\text{mm}^2 + 14 \times 16\text{mm}^2 + 17 \times 10\text{mm}^2) + (7 \times 16\text{mm}^2 + 9 \times 10\text{mm}^2)$ 	Opaque	1	VF318PM
			Transparent	1	VF318TM
 VF418PM	4 rows, 72 ■ w.426 x h.652 x d.72	$N: (1 \times 25\text{mm}^2 + 7 \times 16\text{mm}^2 + 8 \times 10\text{mm}^2) \times 4$ $E: (1 \times 25\text{mm}^2 + 14 \times 16\text{mm}^2 + 17 \times 10\text{mm}^2) \times 2$ 	Opaque	1	VF418PM
			Transparent	1	VF418TM
	1 rows, 22 ■ w.498 x h.257 x d.72	$N: 8 \times 16\text{mm}^2 + 10 \times 10\text{mm}^2$ $E: 8 \times 16\text{mm}^2 + 10 \times 10\text{mm}^2$ 	Opaque	1	VF122PM
			Transparent	1	VF122TM

Surface mounted distribution box from 1 to 4 rows, from 4 to 72

- Supplied with:
- opaque or transparent door for devices up to 70mm installation depth.
 - DIN profile for modular devices 47mm under the cover.

Distance between the DIN profiles axis 125mm.

Distribution boards manufactured from plastic material.
Door can be fitted on right or left without dismounting the cover, optional lock with keys.
Door opens up to 180°.

Enclosure can be installed either way up.
Cable entries for cable, conduit and trucking.

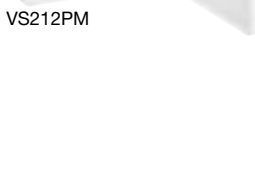

Components included

- brass screw-type terminals
- directly fixed DIN rails to the wall box let to have room enough for wiring behind them.
- marking stickers
- towers to fix cable ties for clear cable management are included, cable-retaining clips are optional (except in 4 and 8 enclosures.)
- door protected by a plastic film.
- carton packaging

IEC 60 439-3



IEC 60 695-2-1/0
and 60 695-2-1/1

Designation		Type of door	Pack qty.	Cat. Ref.
 VS108PM 1 row, 4 ■ w.138 x h.184 x d.99	$N : 2 \times 16\text{mm}^2 + 2 \times 10\text{mm}^2$ $E : 2 \times 16\text{mm}^2 + 2 \times 10\text{mm}^2$	Opaque	1	VS104PM
		Transparent	1	VS104TM
 VS108PM 1 row, 8 ■ w.210 x h.184 x d.99	$N : 2 \times 16\text{mm}^2 + 4 \times 10\text{mm}^2$ $E : 2 \times 16\text{mm}^2 + 4 \times 10\text{mm}^2$	Opaque	1	VS108PM
		Transparent	1	VS108TM
 VS112PM 1 row, 12 ■ w.282 x h.252 x d.99	$N : 4 \times 16\text{mm}^2 + 6 \times 10\text{mm}^2$ $E : 4 \times 16\text{mm}^2 + 6 \times 10\text{mm}^2$	Opaque	1	VS112PM
		Transparent	1	VS112TM
 VS212PM 2 rows, 24 ■ w.282 x h.377 x d.99	$N : (5 \times 16\text{mm}^2 + 6 \times 10\text{mm}^2) \times 2$ $E : 9 \times 16\text{mm}^2 + 13 \times 10\text{mm}^2$	Opaque	1	VS212PM
		Transparent	1	VS212TM
 VS312PM 3 rows, 36 ■ w.282 x h.500 x d.99	$N : (1 \times 25\text{mm}^2 + 7 \times 16\text{mm}^2 + 8 \times 10\text{mm}^2) \times 2$ $E : 1 \times 25\text{mm}^2 + 14 \times 16\text{mm}^2 + 17 \times 10\text{mm}^2$	Opaque	1	VS312PM
		Transparent	1	VS312TM
 VS412PM 4 rows, 48 ■ w.282 x h.647 x d.99	$N : (1 \times 25\text{mm}^2 + 6 \times 16\text{mm}^2 + 7 \times 10\text{mm}^2) \times 3$ $E : (1 \times 25\text{mm}^2 + 10 \times 16\text{mm}^2 + 13 \times 10\text{mm}^2) + (9 \times 16\text{mm}^2 + 11 \times 10\text{mm}^2)$	Opaque	1	VS412PM
		Transparent	1	VS412TM

Technical data

- IP rating:
IP30 without door
IP40 with door
IK07

- Insulation Class II
- White colour RAL 9010
- Rated current:
for devices up to 63A
- Rated insulation:
400V a.c. /50Hz

Certification according to
IEC 60 439-3

All products conform to the
RoHS and WEEE directives.



IEC 60 695-2-1/0
and 60 695-2-1/1

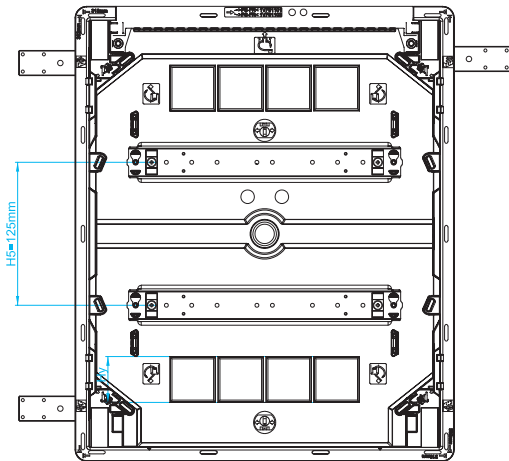
	Designation		Type of door	Pack qty.	Cat. Ref.
 VS218PM	1 row, 18 ■ w.390 x h.257 x d.99	N : 7 x 16mm ² + 9 x 10mm ² E : 7 x 16mm ² + 9 x 10mm ² 	Opaque	1	VS118PM
			Transparent	1	VS118TM
 VS218PM	2 row, 36 ■ w.390 x h.377 x d.99	N: (1 x 25 mm ² + 7 x 16 mm ² + 8 x 10 mm ²) x 2 E: 1 x 25 mm ² + 14 x 16 mm ² + 17 x 10 mm ² 	Opaque	1	VS218PM
			Transparent	1	VS218TM
 VS318PM	3 row, 54 ■ w.390 x h.500 x d.99	N: (1 x 25 mm ² + 7 x 16 mm ² + 8 x 10 mm ²) x 2 + (7 x 16 mm ² + 9 x 10 mm ²) E: (1 x 25 mm ² + 14 x 16 mm ² + 17 x 10 mm ²) + (7 x 16 mm ² + 9 x 10 mm ²) 	Opaque	1	VS318PM
			Transparent	1	VS318TM
 VS418PM	4 rows, 72 ■ w.390 x h.647 x d.99	N: (1 x 25 mm ² + 7 x 16 mm ² + 8 x 10 mm ²) x 4 E: (1 x 25 mm ² + 14 x 16 mm ² + 17 x 10 mm ²) x 2 	Opaque	1	VS418PM
			Transparent	1	VS418TM
 VS122PM	1 rows, 22 ■ w.462 x h.252 x d.99	N: 8 x 16 mm ² + 10 x 10 mm ² E: 8 x 16 mm ² + 10 x 10 mm ² 	Opaque	1	VS122PM
			Transparent	1	VS122TM

Cable entries

Top/bottom

One side cable entry slide, knockout-type, (VF104... and VF108... - NO slider).

The other side pre cuts with diameters 20 mm, 25 mm, 32 mm and 40 mm the wall box is 180° turnable (slider can be placed at top or bottom).



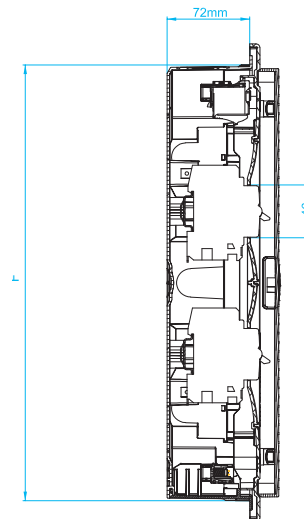
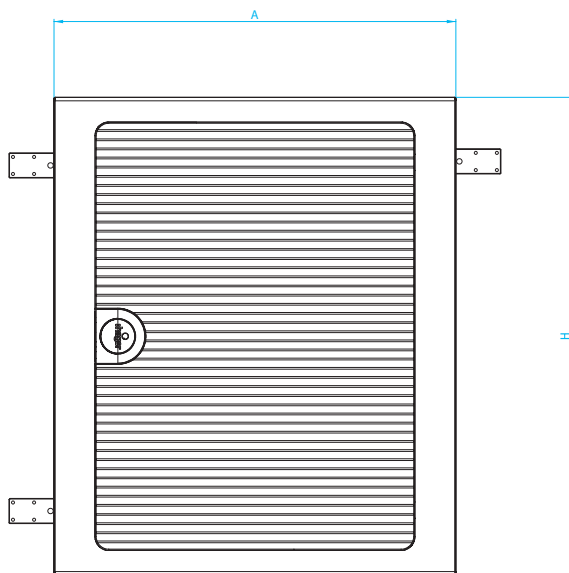
Side

Each one knockout Ø 25 mm on the left and right in the upper and lower connection space.

As of 2 rows, knockouts Ø 25 mm on the left and right between the device rows. (no knockouts at 4 and 8 module enclosures).

Reference		Dimension (mm)			
		Frame		Wall niche	
		A	H	E	F
VF104...	1 row 4	204	225	170	189
VF108...	2 row 8	275	225	242	189
VF112...	1 row 12	352	293	318	257
VF212...	2 row 12	352	418	318	382
VF312...	3 row 12	352	543	318	507
VF412...	4 row 12	352	688	318	652
VF118...	1 row 18	460	293	426	257
VF218...	2 row 18	460	418	426	382
VF318...	3 row 18	460	543	426	507
VF418...	4 row 18	460	688	426	652
VF122...	1 row 22	532	293	498	257

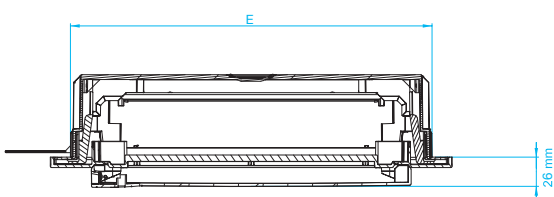
For the wall niche, these dimensions are minimal.



For hollow wall, the cavity wall section should be:

Ref.	E	F
VF104...	170	189
VF108...	242	189
VF112...	318	257
VF212...	318	382
VF312...	318	507
VF412...	318	652
VF118...	426	257
VF218...	426	382
VF318...	426	507
VF418...	426	652
VF122...	498	257

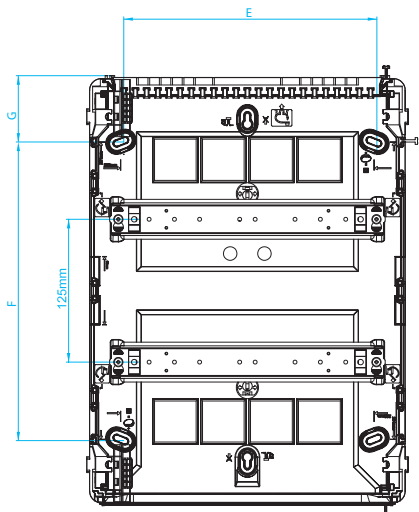
Depth must always be 72 mm min.



Cable entries

Top/bottom

One side cable entry optimised for use of trunking, knockout-type.
The other side pre cuts with diameters 20 mm, 25 mm,
32 mm and 40 mm the wall box is 180° turnable.



Reference		Dimension		Wall fixation		
		A	H	E	F	G
VS104...	1 row 4	137.5	183.5	101	68	58
VS108...	2 row 8	209.5	183.5	173.5	68	58
VS112...	1 row 12	281.5	251.5	221.5	135.5	58
VS212...	2 row 12	281.5	376.5	221.5	260.5	58
VS312...	3 row 12	281.5	500	221.5	385.5	58
VS412...	4 row 12	281.5	646.5	221.5	491	78
VS118...	1 row 18	389.5	251.5	329.5	135.5	58
VS218...	2 row 18	389.5	376.5	329.5	260.5	58
VS318...	3 row 18	389.5	500	329.5	385.5	58
VS418...	4 row 18	389.5	646.5	329.5	491	78
VS122...	1 row 22	461.5	251.5	401.5	135.5	58

