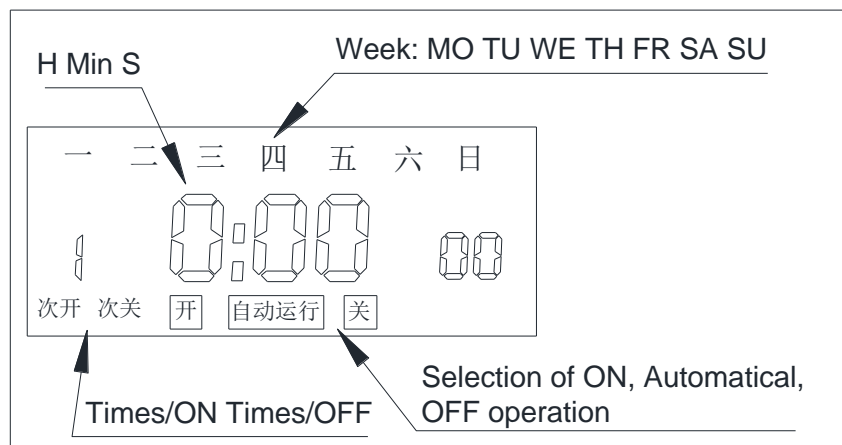


KG316T time switch manual

Please read the manual carefully before using it, and keep the manual in good condition.

■ Function and purpose

This product can automatically turn on and off the power supply of various electrical equipment according to the time set by the user, the control object can be street lamp, neon light, advertising sign lamp, production equipment, radio and television and so on all need to regularly turn on and off the power supply equipment and Household appliances.



■ Model number legend

KG	316	T	-	C
Switch	Design code	Time switch		Load current
				C: 10A
				A: 25A

■ Performance indicators

1. Commonly used products working voltage: 220VAC / 50-60HZ
2. Customized voltage range: 12-48VDC / 110-380VAC
3. Maximum contact allowable current: 10A or 25A (resistive)
4. Power consumption: 1.5W
5. Time control range: 1min-168h
6. Timing error: less than 2s per day
7. Ambient temperature: -15 °C -45 °C
8. Ambient humidity: ≤ 95%
9. Dimensions: 120x70x51mm
10. Product net weight: A305G B175G

■ The normal working conditions and installation conditions

1. Ambient air temperature is 25°C-40°C, and the average temperature does not exceed 35 °C in 24h.
2. The altitude does not exceed 2000mm
3. Ambient humidity can't exceed 90% when the temperature is less than 40 °C, If the temperature is lower, can allow higher relative humidity, when it is condensation by temperature changes, please do special measures.
4. In the absence of explosive media, and the media is not enough to corrode the metal and damage the insulation of the gas and the existence of serious conductive dust place.
5. Beside the rain-proof or snow-proof equipment and not filled with water vapor.
6. Where there is no shaking, shock and vibration.
7. Transport and storage conditions 25 °C -40 °C.

■ Characteristics

1. Every day or every week with 16 times ON/OFF;
2. The switch time can be cycle by day or week;
3. The longest control time is 168 hours, the shortest control time is 1 minute

■ Use the method

If you use this product in your first time, can click on the "C" key by a small wood, which is mean restore the factory state.

1. Time setting

Hold the "clock" button then press "H-", "M+", "D+" key to adjust hour, minute, week.

2. Set regular time

A. Press the "P" key, the bottom left of the display shows "1 次开" words (mean the first time to open). Press the "H-", "M+", "D+" keys, enter the required opening time.

B. then click the "P" key, the bottom left of the display "1 次关" words (mean the first off time). And then press the "H-", "M+", "D+" key, enter the required closing time.

C. Continue to press the "P" key, the bottom left of the display will be displayed "2 次开 ... 16 次开, 16 次关" ordinally, refer to the above "A, B" step, set each time. Press the "Clock" key to return the time when the number of switches is set.

D. When set error or want to cancel the redundant settings, Press the "Cancel / Resume" button to cancel the setting, press the "Cancel / Resume" button again to restore the canceled settings.

E. press the "set" button, press the "D+" key, you can set the same daily time or different daily time. Monday to Friday the same, Monday through Saturday or Saturday to Sunday the same or different cycle.

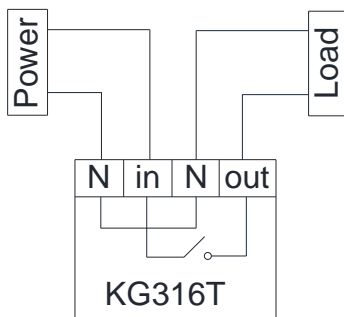
Chinese code	一	二	三	四	五	六	日
English meaning	Monday	Tuesday	Wednesday	Thursday	Friday	Saturday	Sunday

F. control mode selection:

Press "manual / automatic" button, the bottom of the display will be displayed "开", "自动运行", "关" words, said the selected control output. "自动运行" is the automatic control mode, and the output time is controlled by the set time.

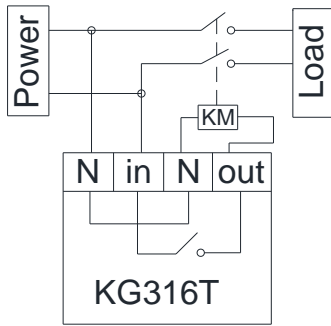
■ Wiring (N mean neutral wire, L mean fire wire)

1, The direct control of the wiring: Control of the electrical appliances are single-phase power supply, power consumption does not exceed the rated capacity of the switch, can be used direct control, wiring as shown in Figure 1:



2. Single-phase expansion of the way wiring:

The controlled appliance is powered by a single phase, but the power consumption exceeds the rated capacity of the switch, requires an AC contactor that exceeds the power consumption of the appliance to expand. Wiring method as shown in Figure 2:

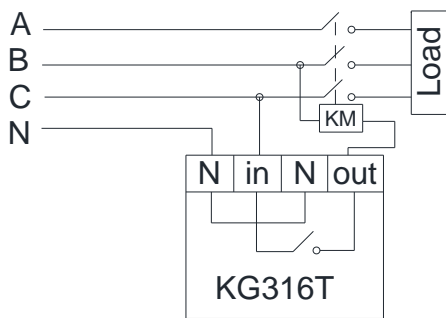


3. Three-phase work wiring:

The controlled appliance is powered by a single phase, need for external three-phase AC contactor.

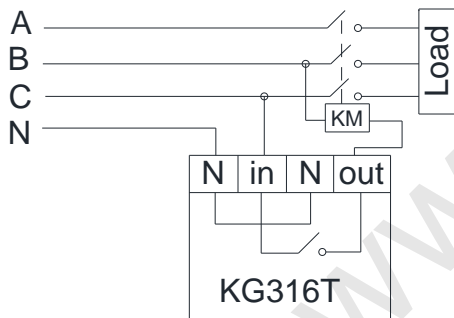
A. As shown in Figure 3:

The AC Control's coil voltage is AC220V 50HZ.

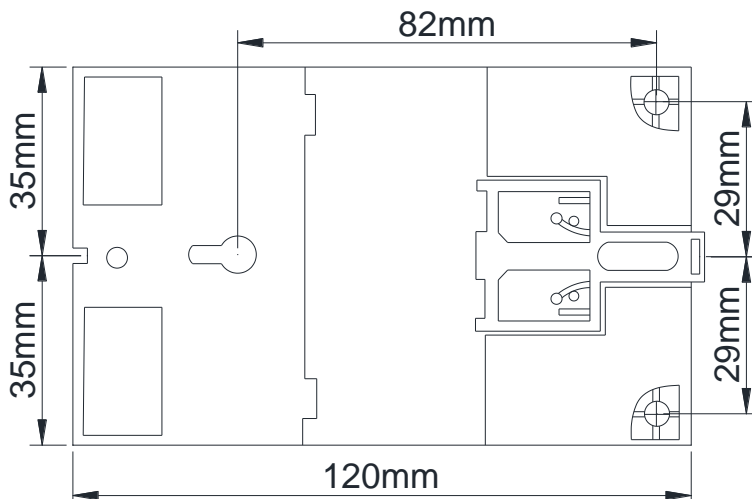


B. As shown in Figure 4:

AC Control's coil voltage is AG380V 50HZ.



■ The installation size



■ Fault query

1. If the switch set to on, but don't switch on when time reach, or set to off, but don't switch off when time reach, check the "week" whether it is correct, if wrong, please re-adjust.
2. If you confirm the "on" and "off" time is completely correct, but the switch is on or off when it is not at the set time, please check the rest set time group, whether it is eliminated, if not, please clear it by the "use method" (Please note that the switch time display "__: __" mean to clear, if 0:00, it is not clear)
3. If the above two are all correct, and the switch is still not normal action, please check whether it is in "automatic" work.

■ Note

1. In order to prevent the heat, caused by strong current, the wires must be tightened to the terminal screws.
2. Do not use this control switch for such equipment (such as medical equipment and large equipment, etc.) that may cause life-related accidents or have a significant impact on society due to errors.
3. Do not touch the terminal after turning on the power.
4. The product should work in the absence of moisture, corrosion and heavy metal content of the gas environment, do not contaminate the oil or water.
5. Warranty is one year.