



Features:

- ▶ Available in 48 x 96 sizes
- ▶ 1 Line 4 Digit ultra bright LED display
- ▶ State of art micro controller based design
- ▶ Site Programmable Shunt
- ▶ Auto ranging
- ▶ Universal Auxiliary supply



Advantages:

- ▶ Compact
- ▶ To identify inefficiency of Machine / Man
- ▶ Reduce panel space, wiring and installation time

Applications:

- ▶ Control Panel
- ▶ Distribution System
- ▶ Generator sets
- ▶ Motor Control
- ▶ Test Bench
- ▶ Energy Management
- ▶ Process Control & SCADA

Supply Voltage

Auxiliary Supply 90-270V AC/DC (±15%)
 Frequency 50/60 Hz

Display

Display 4 digits 7 segment LED display
 Digit Height 0.56" (14.3mm)
 Display Range -9999 to +9999

Input Specifications

Input Voltage Range 0 - 5A / 0 - 20A / 0 - 75mV
 consult factory for other ranges
 Accuracy Class 1
 Resolution Auto ranging
 Update Time 1 Sec.

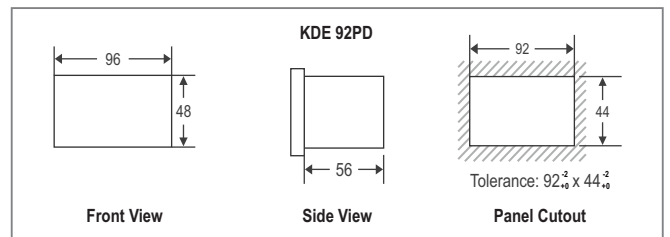
Environmental Specifications

Temperature Operating : -10° to 55°C
 Storage : -20° to 75°C
 Humidity < 95% RH

Mechanical Specifications

Mounting Flush Mounting with Side Clamps
 Weight 180 g
 Enclosure Material ABS Thermoplastic

Dimension



Applicable Standards

Radio Interference Suppression	CISPR22
Fast Transient Burst Test	IEC61000-4.4
Damped Oscillatory Waves Immunity Test	IEC61000-4.12
Test of Immunity to Electromagnetic RF Fields	IEC61000-4.3
Test of Immunity to Conducted Disturbances, Induced by Radio-Frequency Fields	IEC61000-4.6
Test of Immunity to Electrostatic Discharges	IEC61000-4.2
Surge Immunity Test	IEC61000-4.5
Test of Protection Against Penetration of Dust & Water	IEC60529

Ordering Information

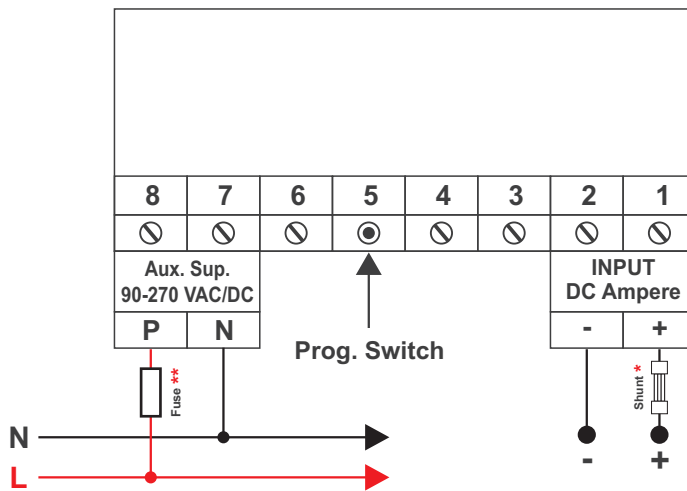
Ordering Code	Description
KDE 92PD-5A	DC Ammeter (96 x 48) 0 - 5A
KDE 92PD-20A	DC Ammeter (96 x 48) 0 - 20A
KDE 92PD-75mV	DC Ammeter (96 x 48) 0 - 75mV

Safety Standards

Safety Standard	IEC61010-1
Pollution Degree	2
Installation Category	III
High Voltage Test	3.3 kV AC, 50Hz for 1 Minute Between Aux.& Measuring Inputs

Connection Diagram

KDE 92PD Terminal Connection (96x48)



* Connect Shunt Only for Shunt Programmable Ammeter, Shunt not provided with meter