

## Practibox S surface mounting

cabinets from 4 to 72 modules

AVAILABLE FROM  
SEPTEMBER 2018



1 351 11

1 351 13

1 351 04

Technical characteristics p. 219

Allows to achieve assemblies conform to IEC 61439-3  
IP40 IK07  
Class II  
Plastic material  
Supplied with door

Pack	Cat.Nos		Number of rows	Number of modules per row	Total number of modules	Height (mm)	Width (mm)	Depth (mm)
	White door	Smoked Transparent door						
1	1 341 04	1 341 14	1	4	4	216	184	100
1	1 341 08	1 341 18	1	8	8	226	256	100
1	1 351 01	1 351 11	1	12	12	236	328	107
1	1 351 02	1 351 12	2	12	24	386	328	108
1	1 351 03	1 351 13	3	12	36	536	328	108
1	1 351 04	1 351 14	4	12	48	766	328	108
1	1 371 06	1 371 16	1	18	18	236	436	107
1	1 371 07	1 371 17	2	18	36	386	436	108
1	1 371 08	1 371 18	3	18	54	616	436	108
1	1 371 09	1 371 19	4	18	72	766	436	108
1	1 371 05	1 371 15	1	22	22	236	508	107

### Cabinets supplied without terminal blocks

Pack	Cat.Nos		Number of rows	Number of modules per row	Total number of modules	Height (mm)	Width (mm)	Depth (mm)
	White door	Smoked Transparent door						
1	1 341 24	1 341 34	1	4	4	216	184	100
1	1 341 28	1 341 38	1	8	8	226	256	100
1	1 351 21	1 351 31	1	12	12	236	328	107
1	1 351 22	1 351 32	2	12	24	386	328	108
1	1 351 23	1 351 33	3	12	36	536	328	108
1	1 351 24	1 351 34	4	12	48	766	328	108
1	1 371 26	1 371 36	1	18	18	236	436	107
1	1 371 27	1 371 37	2	18	36	386	436	108
1	1 371 28	1 371 38	3	18	54	616	436	108
1	1 371 29	1 371 39	4	18	72	766	436	108
1	1 371 25	1 371 35	1	22	22	236	508	107

### Cabinets supplied with earth terminal blocks

Pack	Cat.Nos		Number of rows	Number of modules per row	Total number of modules	Height (mm)	Width (mm)	Depth (mm)
	White door	Smoked Transparent door						
1	1 342 04	1 342 14	1	4	4	216	184	100
1	1 342 08	1 342 18	1	8	8	226	256	100
1	1 352 01	1 352 11	1	12	12	236	328	107
1	1 352 02	1 352 12	2	12	24	386	328	108
1	1 352 03	1 352 13	3	12	36	536	328	108
1	1 352 04	1 352 14	4	12	48	766	328	108
1	1 372 06	1 372 16	1	18	18	236	436	107
1	1 372 07	1 372 17	2	18	36	386	436	108
1	1 372 08	1 372 18	3	18	54	616	436	108
1	1 372 09	1 372 19	4	18	72	766	436	108
1	1 372 05	1 372 15	1	22	22	236	508	107

### Cabinets supplied with earth and neutral terminal blocks

## Practibox S flush-mounting

cabinets for masonry from 4 to 72 modules

AVAILABLE FROM  
SEPTEMBER 2018



1 340 04

1 340 14

1 350 01

1 350 03

Technical characteristics p. 220

Allows to achieve assemblies conform to IEC 61439-3  
IP40 IK07  
Class II  
Plastic material  
Supplied with door  
For brick and masonry walls  
65° fireproof flush-mounting plastic boxes

Pack	Cat.Nos		Number of rows	Number of modules per row	Total number of modules	Height (mm)	Width (mm)	Depth (mm)
	White door	Smoked Transparent door						
1	1 340 04	1 340 14	1	4	4	215	184	100
1	1 340 08	1 340 18	1	8	8	225	256	100
1	1 350 01	1 350 11	1	12	12	235	328	102
1	1 350 02	1 350 12	2	12	24	385	328	103
1	1 350 03	1 350 13	3	12	36	535	328	103
1	1 350 04	1 350 14	4	12	48	765	328	103
1	1 370 06	1 370 16	1	18	18	235	436	102
1	1 370 07	1 370 17	2	18	36	385	436	103
1	1 370 08	1 370 18	3	18	54	615	436	103
1	1 370 09	1 370 19	4	18	72	765	436	103
1	1 370 05	1 370 15	1	22	22	235	508	102

### Cabinets supplied without terminal blocks

Pack	Cat.Nos		Number of rows	Number of modules per row	Total number of modules	Height (mm)	Width (mm)	Depth (mm)
	White door	Smoked Transparent door						
1	1 340 44	1 340 54	1	4	4	215	184	100
1	1 340 48	1 340 58	1	8	8	225	256	100
1	1 350 41	1 350 51	1	12	12	235	328	102
1	1 350 42	1 350 52	2	12	24	385	328	103
1	1 350 43	1 350 53	3	12	36	535	328	103
1	1 350 44	1 350 54	4	12	48	765	328	103
1	1 370 46	1 370 56	1	18	18	235	436	102
1	1 370 47	1 370 57	2	18	36	385	436	103
1	1 370 48	1 370 58	3	18	54	615	436	103
1	1 370 49	1 370 59	4	18	72	765	436	103
1	1 370 45	1 370 55	1	22	22	235	508	102

### Cabinets supplied with earth terminal blocks

Pack	Cat.Nos		Number of rows	Number of modules per row	Total number of modules	Height (mm)	Width (mm)	Depth (mm)
	White door	Smoked Transparent door						
1	1 341 44	1 341 54	1	4	4	215	184	100
1	1 341 48	1 341 58	1	8	8	225	256	100
1	1 351 41	1 351 51	1	12	12	235	328	102
1	1 351 42	1 351 52	2	12	24	385	328	103
1	1 351 43	1 351 53	3	12	36	535	328	103
1	1 351 44	1 351 54	4	12	48	765	328	103
1	1 371 46	1 371 56	1	18	18	235	436	102
1	1 371 47	1 371 57	2	18	36	385	436	103
1	1 371 48	1 371 58	3	18	54	615	436	103
1	1 371 49	1 371 59	4	18	72	765	436	103
1	1 371 45	1 371 55	1	22	22	235	508	102

### Cabinets supplied with earth and neutral terminal blocks

# Practibox S flush-mounting cabinets

for dry partitions from 4 to 72 modules

AVAILABLE FROM  
SEPTEMBER 2018



1 340 24



1 340 34



1 350 21



1 350 23



## Technical characteristics p. 220

Allows to achieve assemblies conform to IEC 61439-3  
IP40 IK07  
Class II  
Plastic material  
Supplied with door  
For dry partitions  
85° fireproof flush-mounting plastic boxes

Pack	Cat.Nos		Number of rows	Number of modules per row	Total number of modules	Height (mm)	Width (mm)	Depth (mm)
	White door	Smoked Transparent door						
1	1 340 24	1 340 34	1	4	4	215	184	100
1	1 340 28	1 340 38	1	8	8	225	256	100
1	1 350 21	1 350 31	1	12	12	235	328	102
1	1 350 22	1 350 32	2	12	24	385	328	103
1	1 350 23	1 350 33	3	12	36	535	328	103
1	1 350 24	1 350 34	4	12	48	765	328	103
1	1 370 26	1 370 36	1	18	18	235	436	102
1	1 370 27	1 370 37	2	18	36	385	436	103
1	1 370 28	1 370 38	3	18	54	615	436	103
1	1 370 29	1 370 39	4	18	72	765	436	103
1	1 370 25	1 370 35	1	22	22	235	508	102

### Cabinets supplied without terminal blocks

Pack	Cat.Nos		Number of rows	Number of modules per row	Total number of modules	Height (mm)	Width (mm)	Depth (mm)
	White door	Smoked Transparent door						
1	1 340 64	1 340 74	1	4	4	215	184	100
1	1 340 68	1 340 78	1	8	8	225	256	100
1	1 350 61	1 350 71	1	12	12	235	328	102
1	1 350 62	1 350 72	2	12	24	385	328	103
1	1 350 63	1 350 73	3	12	36	535	328	103
1	1 350 64	1 350 74	4	12	48	765	328	103
1	1 370 66	1 370 76	1	18	18	235	436	102
1	1 370 67	1 370 77	2	18	36	385	436	103
1	1 370 68	1 370 78	3	18	54	615	436	103
1	1 370 69	1 370 79	4	18	72	765	436	103
1	1 370 65	1 370 75	1	22	22	235	508	102

### Cabinets supplied with earth terminal blocks

Pack	Cat.Nos		Number of rows	Number of modules per row	Total number of modules	Height (mm)	Width (mm)	Depth (mm)
	White door	Smoked Transparent door						
1	1 341 64	1 341 74	1	4	4	215	184	100
1	1 341 68	1 341 78	1	8	8	225	256	100
1	1 351 61	1 351 71	1	12	12	235	328	102
1	1 351 62	1 351 72	2	12	24	385	328	103
1	1 351 63	1 351 73	3	12	36	535	328	103
1	1 351 64	1 351 74	4	12	48	765	328	103
1	1 371 66	1 371 76	1	18	18	235	436	102
1	1 371 67	1 371 77	2	18	36	385	436	103
1	1 371 68	1 371 78	3	18	54	615	436	103
1	1 371 69	1 371 79	4	18	72	765	436	103
1	1 371 65	1 371 75	1	22	22	235	508	102

### Cabinets supplied with earth and neutral terminal blocks

# Practibox S

accessories

AVAILABLE FROM  
SEPTEMBER 2018



1 348 13



4 018 56

Pack	Cat.Nos	Earth terminal blocks
1	1 348 00	Brass terminal block with isolated support Conform to IEC 60998-2-1/2-2 For 4 modules cabinets 1 x (2x16 <sup>2</sup> + 2x10 <sup>2</sup> ); ICC : 6 kA
1	1 348 01	For 8 modules cabinets 1 x (3x16 <sup>2</sup> + 3x10 <sup>2</sup> ); ICC : 6 kA
1	1 348 02	For 12 modules flush-mounting cabinets 1 x (12x16 <sup>2</sup> + 12x10 <sup>2</sup> ); ICC : 6 kA
1	1 348 03	For 12 modules surface mounting cabinets and 22 modules cabinets 1 x (12x16 <sup>2</sup> + 12x10 <sup>2</sup> ); ICC : 6 kA
1	1 348 04	For 1 row 18 modules flush-mounting cabinets 1 x (1x25 <sup>2</sup> + 12x16 <sup>2</sup> ); ICC : 10 kA
1	1 348 05	For 18 modules surface mounting cabinets and 2 to 4 rows flush-mounting cabinets 1 x (1x25 <sup>2</sup> + 26x16 <sup>2</sup> ); ICC : 10 kA

Pack	Cat.Nos	Earth and neutral terminal block
1	1 348 10	Brass terminal block with isolated support Conform to IEC 60998-2-1/2-2 For 4 modules cabinets 2 x (2x16 <sup>2</sup> + 2x10 <sup>2</sup> ); ICC : 6 kA
1	1 348 11	For 8 modules cabinets 2 x (3x16 <sup>2</sup> + 3x10 <sup>2</sup> ); ICC : 6 kA
1	1 348 12	For 12 modules flush-mounting cabinets 2 x (12x16 <sup>2</sup> + 12x10 <sup>2</sup> ); ICC : 6 kA
1	1 348 13	For 12 modules surface mounting cabinets and 22 modules cabinets 2 x (12x16 <sup>2</sup> + 12x10 <sup>2</sup> ); ICC : 6 kA
1	1 348 14	For 1 row 18 modules flush-mounting cabinets 2 x (1x25 <sup>2</sup> + 12x16 <sup>2</sup> ); ICC : 10 kA
1	1 348 15	For 18 modules surface mounting cabinets and 2 to 4 rows flush-mounting cabinets 2 x (1x25 <sup>2</sup> + 26x16 <sup>2</sup> ); ICC : 10 kA

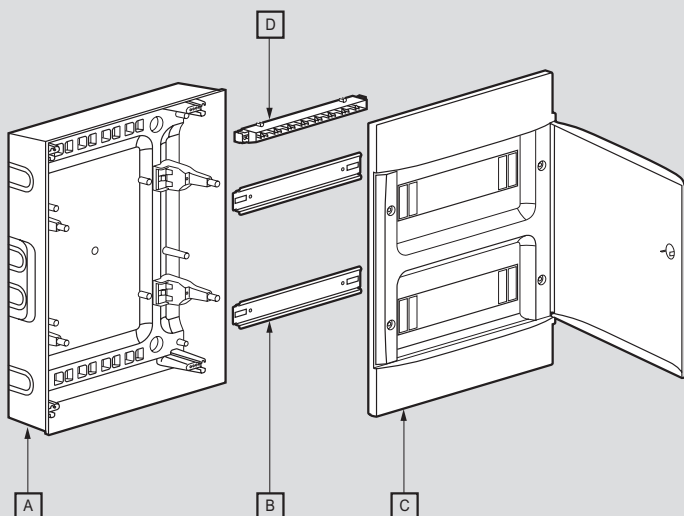
Pack	Cat.Nos	Accessories
1	1 341 00	Key lock Can be mounted on all sizes of flush and surface mounting enclosures
1	1 341 02	Horizontal and vertical joining kit for flush-mounting enclosure
1	4 018 56	Set of 4 wall fixing lugs for XL <sup>3</sup> 125 and Practibox S surface mounting cabinets

Pack	Cat.Nos	Blanking plates
20	0 016 60	Separable per module or 1/2 module 5 modules
10	0 016 62	13 modules
10	0 016 64	18 modules

# Practibox S

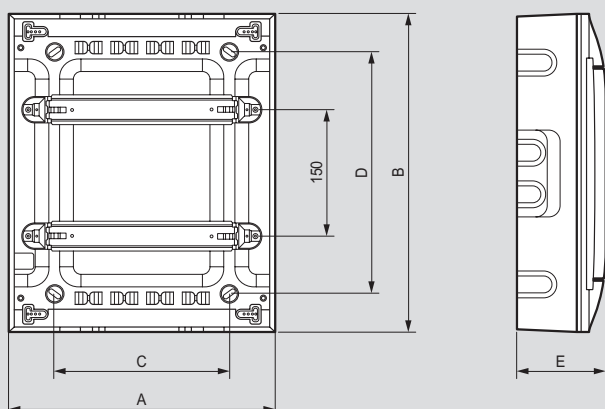
## surface mounting cabinets - technical characteristics

### Composition of distribution cabinets from 4 to 72 modules



A: surface mounting box  
 B: rail  
 C: removable faceplate with white or transparent door  
 D: terminal blocks (depending on the cabinet version)

### Dimensions



Cat.Nos	Dimensions (mm)				
	A	B	C	D	E
1 341 04/14/24/34 / 1 342 04/14	178	216	72	120	78
1 341 08/18/28/38 / 1 342 08/18	250	226	150	120	78
1 351 01/11/21/31 / 1 352 01/11	322	236	210	140	83
1 351 02/12/22/32 / 1 352 02/12	322	386	210	290	87
1 351 03/13/23/33 / 1 352 03/13	322	536	210	440	87
1 351 04/14/24/34 / 1 352 04/14	322	766	210	600	87
1 371 06/16/26/36 / 1 372 06/16	430	236	320	140	83
1 371 07/17/27/37 / 1 372 07/17	430	386	320	290	87
1 371 08/18/28/38 / 1 372 08/18	430	616	320	470	87
1 371 09/19/29/39 / 1 372 09/19	430	766	320	620	87
1 371 05/15/25/35 / 1 372 05/15	502	236	390	140	83

### Number of blanking plates supplied per enclosure

Cat.Nos	Number of blanking plates 5 modules
1 341 04/14/24/34 / 1 342 04/14	-
1 341 08/18/28/38 / 1 342 08/18	-
1 351 01/11/21/31 / 1 352 01/11	-
1 351 02/12/22/32 / 1 352 02/12	1
1 351 03/13/23/33 / 1 352 03/13	1
1 351 04/14/24/34 / 1 352 04/14	1
1 371 06/16/26/36 / 1 372 06/16	1
1 371 07/17/27/37 / 1 372 07/17	1
1 371 08/18/28/38 / 1 372 08/18	2
1 371 09/19/29/39 / 1 372 09/19	2
1 371 05/15/25/35 / 1 372 05/15	1

### Number of connections per earth terminal block (supplied with enclosure)

Cat.Nos	Earth terminal blocks Screw connection		
	6 - 25 mm <sup>2</sup>	1.5 - 16 mm <sup>2</sup>	1.5 - 10 mm <sup>2</sup>
1 341 24/34	-	2	2
1 341 28/38	-	3	3
1 351 21/31	-	5	5
1 351 22/32	-	8	8
1 351 23/33	-	12	12
1 351 24/34	-	16	16
1 371 25/35	-	8	8
1 371 26/36	1	12	-
1 371 27/37	1	21	-
1 371 28/38	1	34	-
1 371 29/39	1	34	-

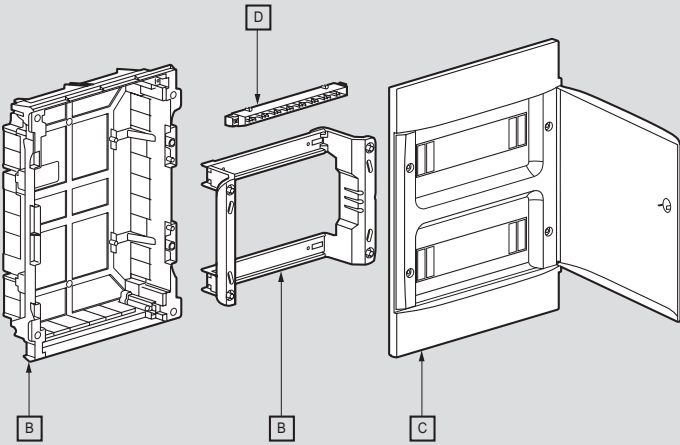
### Number of connections per neutral and earth terminal block (supplied with enclosure)

Cat.Nos	Neutral terminal blocks Screw connection			Earth terminal blocks Screw connection		
	6 - 25 mm <sup>2</sup>	1.5 - 16 mm <sup>2</sup>	1.5 - 10 mm <sup>2</sup>	6 - 25 mm <sup>2</sup>	1.5 - 16 mm <sup>2</sup>	1.5 - 10 mm <sup>2</sup>
1 342 04/14	-	2	2	-	2	2
1 342 08/18	-	3	3	-	3	3
1 352 01/11	-	5	5	-	5	5
1 352 02/12	-	8	8	-	8	8
1 352 03/13	-	12	12	-	12	12
1 352 04/14	-	16	16	-	16	16
1 372 05/15	-	8	8	-	8	8
1 372 06/16	1	12	-	1	12	-
1 372 07/17	1	21	-	1	21	-
1 372 08/18	1	34	-	1	34	-
1 372 09/19	1	34	-	1	34	-

# Practibox S

flush-mounting cabinets for masonry and dry partitions - technical characteristics

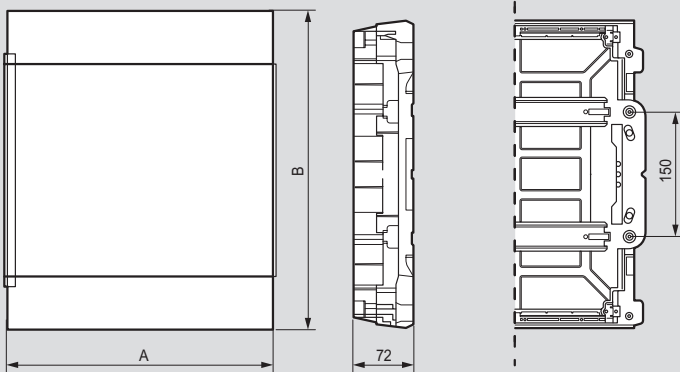
## Composition of distribution cabinets from 4 to 72 modules



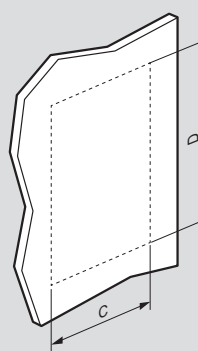
A: flush-mounting box for masonry or dry partitions  
B: removable chassis with leveling system

C: removable faceplate with white or transparent door  
D: terminal blocks (depending on the cabinet version)

## Dimensions



Cat.Nos	Dimensions (mm)			
	A	B	C	D
1 340 04/14/24/34/44/54/64/74	184	215	146	205
1 340 08/18/28/38/48/58/68/78	256	225	218	215
1 341 44/54/64/74	184	215	146	205
1 341 48/58/68/78	256	225	218	215
1 350 01/11/21/31/41/51/61/71	328	235	225	290
1 350 02/12/22/32/42/52/62/72	328	385	375	290
1 350 03/13/23/33/43/53/63/73	328	535	525	290
1 350 04/14/24/34/44/54/64/74	328	765	675	290
1 351 41/51/61/71	328	235	225	290
1 351 42/52/62/72	328	385	375	290
1 351 43/53/63/73	328	535	525	290
1 351 44/54/64/74	328	765	675	290
1 370 05/15/25/35/45/55/65/75	508	235	470	225
1 370 06/16/26/36/46/56/66/76	436	235	398	225
1 370 07/17/27/37/47/57/67/77	436	385	398	375
1 370 08/18/28/38/48/58/68/78	436	615	398	525
1 370 09/19/29/39/49/59/69/79	436	765	398	675
1 371 46/56/66/76	436	235	398	225
1 371 47/57/67/77	436	385	398	375
1 371 48/58/68/78	436	615	398	525
1 371 49/59/69/79	436	765	398	675



Cutting dimensions

## Number of blanking plates supplied per enclosure

Cat.Nos	Number of blanking plates 5 modules
1 340 04/14/24/34/44/54/64/74	-
1 340 08/18/28/38/48/58/68/78	-
1 341 44/54/64/74	-
1 341 48/58/68/78	-
1 350 01/11/21/31/41/51/61/71	-
1 350 02/12/22/32/42/52/62/72	1
1 350 03/13/23/33/43/53/63/73	1
1 350 04/14/24/34/44/54/64/74	1
1 351 41/51/61/71	-
1 351 42/52/62/72	1
1 351 43/53/63/73	1
1 351 44/54/64/74	1
1 370 05/15/25/35/45/55/65/75	1
1 370 06/16/26/36/46/56/66/76	1
1 370 07/17/27/37/47/57/67/77	1
1 370 08/18/28/38/48/58/68/78	2
1 370 09/19/29/39/49/59/69/79	2
1 371 46/56/66/76	1
1 371 47/57/67/77	1
1 371 48/58/68/78	2
1 371 49/59/69/79	2

## Number of connections per earth terminal block (supplied with enclosure)

Cat.Nos	Earth terminal blocks Screw connection		
	6 - 25 mm <sup>2</sup>	1.5 - 16 mm <sup>2</sup>	1.5 - 10 mm <sup>2</sup>
1 340 44/54/64/74	-	2	2
1 340 48/58/68/78	-	3	3
1 350 41/51/61/71	-	5	5
1 350 42/52/62/72	-	8	8
1 350 43/53/63/73	-	12	12
1 350 44/54/64/74	-	16	16
1 370 45/55/65/75	-	8	8
1 370 46/56/66/76	1	12	-
1 370 47/57/67/77	1	21	-
1 370 48/58/68/78	1	34	-
1 370 49/59/69/79	1	34	-

## Number of connections per neutral and earth terminal block (supplied with enclosure)

Cat.Nos	Neutral terminal blocks Screw connection			Earth terminal blocks Screw connection		
	6 - 25 mm <sup>2</sup>	1.5 - 16 mm <sup>2</sup>	1.5 - 10 mm <sup>2</sup>	6 - 25 mm <sup>2</sup>	1.5 - 16 mm <sup>2</sup>	1.5 - 10 mm <sup>2</sup>
1 341 44/54/64/74	-	2	2	-	2	2
1 341 48/58/68/78	-	3	3	-	3	3
1 351 41/51/61/71	-	5	5	-	5	5
1 351 42/52/62/72	-	8	8	-	8	8
1 351 43/53/63/73	-	12	12	-	12	12
1 351 44/54/64/74	-	16	16	-	16	16
1 371 45/55/65/75	-	8	8	-	8	8
1 371 46/56/66/76	1	12	-	1	12	-
1 371 47/57/67/77	1	21	-	1	21	-
1 371 48/58/68/78	1	34	-	1	34	-
1 371 49/59/69/79	1	34	-	1	34	-

# Flush-mounting cabinets Practibox<sup>3</sup>

from 8 to 72 modules



Technical characteristics p. 221

Class II  
 IP 40 - IK 07 with door  
 Self-extinguishing: resistance to incandescent wire 850 °C  
 Conform to IEC 60670-24 and IEC 62208 : allows to achieve assemblies conform to IEC 61439-3

Pack	Cat.Nos		<b>Flush-mounting distribution cabinets</b>				
			Box for masonry or dry partitions (with dry partitions kit Cat.No 4 017 24) Supplied with: - removable chassis with  rails fitted - reversible door (door + faceplate for 1-row cabinets) - removable faceplates for each row (for 2, 3 and 4-row cabinets) - IP 2X screw terminal blocks - blanking plates (5 modules, separable per module or 1/2 module, for 2, 3 and 4-row cabinets) Spacing between rails 150 mm Door opening : 180° Can be equipped with lock and key n° 850 Cat.No 0 019 66				
			<b>8/12 modules per row with transparent door</b>				
			Flush-mounting box				
			Number of rows	Number of modules	Height (mm)	Width (mm)	Depth (mm)
1	4 017 01	4 017 51	1	8	186	232	80
1	4 017 02	4 017 52	1	12	222	304	80
1	4 017 03	4 017 53	2	24	372	304	85
1	4 017 04	4 017 54	3	36	522	304	85
			<b>8/12 modules per row with white door RAL 9003</b>				
1	4 017 11	4 017 61	1	8	186	232	80
1	4 017 12	4 017 62	1	12	222	304	80
1	4 017 13	4 017 63	2	24	372	304	85
1	4 017 14	4 017 64	3	36	522	304	85
			<b>18 modules per row with transparent door</b>				
1	4 017 06	4 017 56	1	18	248	436	85
1	4 017 07	4 017 57	2	36	456	436	85
1	4 017 08	4 017 58	3	54	606	436	91
1	4 017 09	4 017 59	4	72	756	436	91
			<b>18 modules per row with white door RAL 9003</b>				
1	4 017 16	4 017 66	1	18	248	436	85
1	4 017 17	4 017 67	2	36	456	436	85
1	4 017 18	4 017 68	3	54	606	436	91
1	4 017 19	4 017 69	4	72	756	436	91

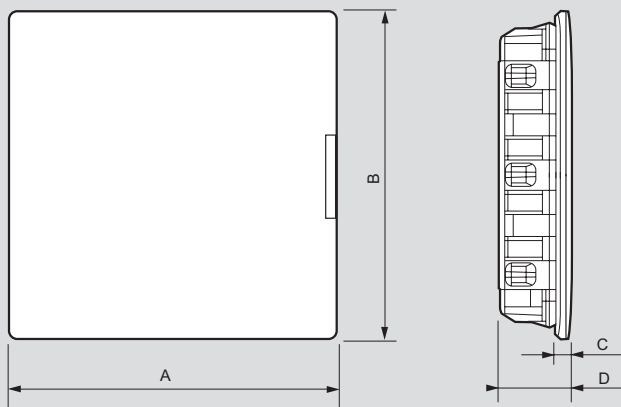
Pack	Cat.Nos	<b>Accessories</b>	
1	4 017 23	<b>Horizontal or vertical joining kit</b> For joining 2 cabinets when installed in masonry	
1	4 017 24	<b>Flush-mounting kit for dry partitions</b> For installation of Practibox <sup>3</sup> cabinets in dry partitions	
1	4 017 22	<b>Horizontal partition for 18 modules per row cabinets</b> For 2, 3 or 4-rows cabinets	
1	4 017 25	<b>Plain faceplate for 18 modules per row cabinets</b> For 2, 3 or 4-rows cabinets Allow fitting of non-modular equipments such as control and signalling units	
1	4 017 26	<b>Perforated plates for 18 modules per row cabinets</b> To be used instead of the one  rail when integrating non-modular products For 2, 3 or 4-rows cabinets Height 150 mm	
1	4 017 27	<b>12x2 flat bar for IP 2X terminal blocks for 18 modules per row cabinets</b> For 2, 3 or 4-rows cabinets Allow fitting of additional IP 2X terminal blocks	
1	0 019 66	<b>Key lock</b> To be fitted on white or transparent doors, starting from 3 rows of 12 modules cabinets Supplied with key n° 850	
		<b>Blanking plates</b> White RAL 9003 Separable per module or 1/2 module	
20	0 016 60	5 modules	
10	0 016 62	13 modules	
10	0 016 64	18 modules	



# Flush-mounting cabinets Practibox<sup>3</sup>

from 18 to 72 modules

## ■ Dimensions



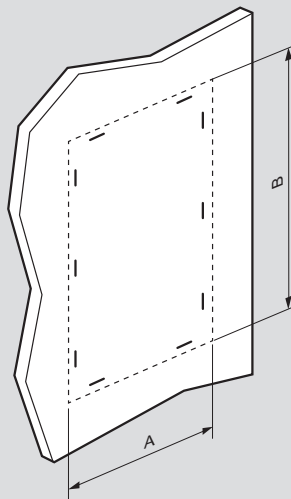
Cat.Nos	Dimensions (mm)			
	A	B	C	D
4 017 01/11/51/61	286	208	20	100
4 017 02/12/52/62	359	246	20	100
4 017 03/13/53/63	359	396	20	105
4 017 04/14/54/64	359	546	20	105
4 017 06/16/56/66	493	288	20	105
4 017 07/17/57/67	493	496	20	105
4 017 08/18/58/68	493	650	20	111
4 017 09/19/59/69	493	800	20	111

## ■ Number of connections per neutral and earth terminal block (supplied with enclosure)

Enclosure Cat.Nos	Neutral terminal blocks Screw connection		Earth terminal blocks Screw connection	
	1.5 - 16 mm <sup>2</sup>	6 - 25 mm <sup>2</sup>	1.5 - 16 mm <sup>2</sup>	6 - 25 mm <sup>2</sup>
4 017 01/11	-	-	8	-
4 017 02/12	-	-	12	1
4 017 03/13	-	-	16	1
4 017 04/14	-	-	21	1
4 017 06/16	-	-	12	1
4 017 07/17	-	-	16	1
4 017 08/18	-	-	21	1
4 017 09/19	-	-	33	2
4 017 51/61	8	-	8	-
4 017 52/62	8	-	12	1
4 017 53/63	2 x 8	-	16	1
4 017 54/64	3 x 8	-	21	1
4 017 56/66	12	1	12	1
4 017 57/67	2 x 8	-	16	1
4 017 58/68	3 x 8	-	21	1
4 017 59/69	4 x 8	-	33	2

## ■ Wall cutting when installing the boxes in dry partitions or masonry

For dry partitions use the flush-mounting kit Cat.No 4 017 24



Cat.Nos	Dimensions for dry partitions (mm)		Dimensions for masonry (mm)	
	A	B	A	B
4 017 01/11/51/61	233	187	> 233	> 187
4 017 02/12/52/62	305	223	> 305	> 223
4 017 03/13/53/63	305	373	> 305	> 373
4 017 04/14/54/64	305	523	> 305	> 523
4 017 06/16/56/66	437	249	> 437	> 249
4 017 07/17/57/67	437	454	> 437	> 454
4 017 08/18/58/68	437	607	> 437	> 607
4 017 09/19/59/69	437	757	> 437	> 757

## ■ Number of blanking plates supplied per enclosure

Enclosure Cat.Nos	Number of blanking plates 5 modules
4 017 01/11/51/61	-
4 017 02/12/52/62	1
4 017 03/13/53/63	1
4 017 04/14/54/64	2
4 017 06/16/56/66	1
4 017 07/17/57/67	2
4 017 08/18/58/68	2
4 017 09/19/59/69	2